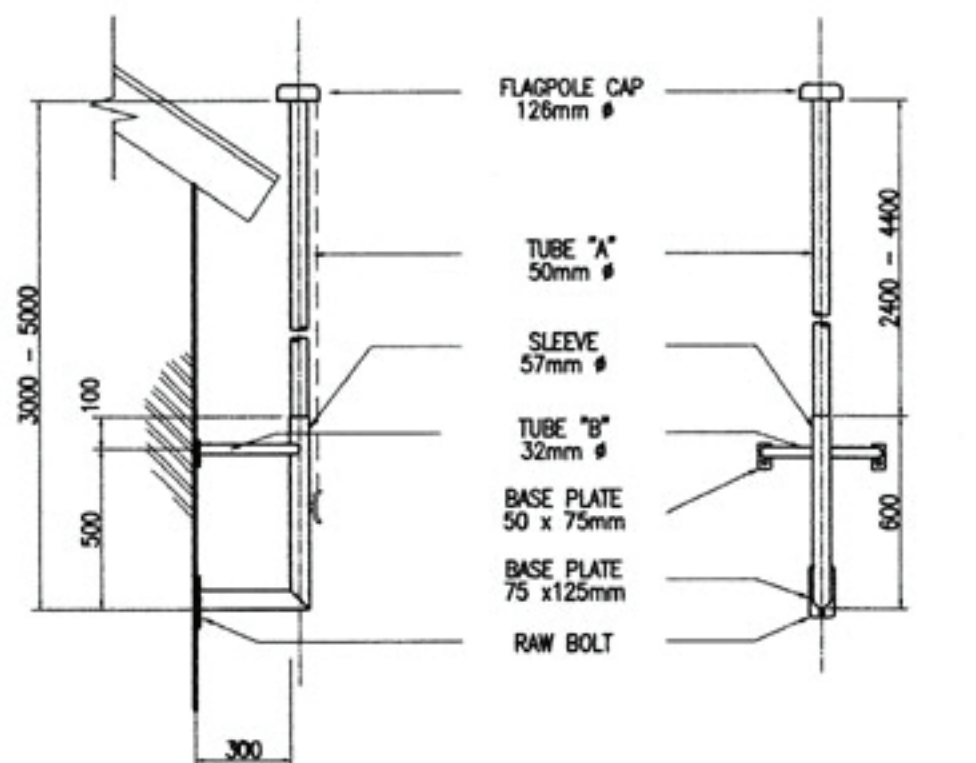


SIDE ELEVATION
SCALE 1:25

FRONT ELEVATION
SCALE 1:25



SIDE ELEVATION
SCALE 1:25

FRONT ELEVATION
SCALE 1:25

ALUWELD

project:

**EXTENDED VERTICAL WALL
MOUNTED FLAG POLE**

drawing title:

**GENERAL
ARRANGEMENT**

scale:
AS PER PLAN

drawn:
AS

date:
09/2000

drawing number:
00.02520/S1